



NS-300 NS-200

SPEAKER SYSTEM

SYSTÈME D'ENCEINTES

LAUTSPRECHERANLAGE

•>`n „ot†.

**OWNER'S MANUAL
MODE D'EMPLOI
BEDIENUNGSANLEITUNG**

α`¥, » j 'œfi

Thank you for selecting this YAMAHA NS-300/NS-200 speaker system.

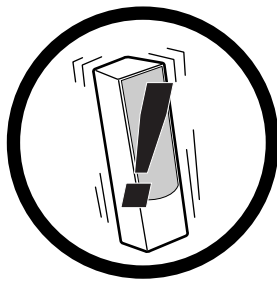
PRECAUTIONS

Read these precautions carefully before using your speaker.

- Any time you note distortion, reduce the volume control on your amplifier to a lower setting. Never allow your amplifier to be driven into "clipping". Otherwise the speaker may be damaged.
- When using an amplifier with a rated output power higher than the nominal input power of the speaker, care should be taken never to exceed the speaker's maximum input.
- Do not attempt to clean the speaker with chemical solvents as this might damage the finish. To clean, wipe with a dry, soft cloth.
- To prevent the enclosure from warping or discoloring, do not place the speaker where it will be exposed to direct sunlight or excessive humidity.
- Do not place the speaker where it is liable to be knocked over or struck by falling objects. Stable placement will also ensure better sound performance.
- Secure placement or installation is the owner's responsibility. YAMAHA shall not be liable for any accident caused by improper placement or installation of the speaker.

PRECAUTIONS WHEN POSITIONING THE SPEAKERS

The speaker is constructed with the majority of the weight located in its upper portion, and is thus susceptible to falling over if proper care is not taken to insure its stability. If the speaker falls over, it may damage the speaker or be the cause of injury (or even death) to persons and/or damage to personal property.



Use the stands included with the speakers to increase stability:

- **Stands**
Be sure to use the stands regardless of where the speakers are positioned. Attaching the stands included with the speakers reinforces the base of the speaker not to fall over. Please be cautioned that even though the stands are connected, this does not guarantee that the speakers will not fall over.

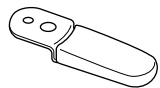
For safe and proper use of the speaker:

- Position the speaker in a location that is solid, level, smooth, and low (with respect to the floor).
- Do not push or apply pressure to the side of the speaker when moving, or lean objects against the side of the speaker.
- Do not sit on or set objects on top of the speaker.

Vibrations or jolts associated with earthquakes and other phenomena or activities may cause the speaker to fall over. For safety reasons, using commercially available products that increase stability in the speaker is recommended (metal fittings or chains, etc.).

HOW TO USE THE ACCESSORIES INCLUDED WITH THE SPEAKERS

■ Attaching the stand



Stand x 4



Screw (6 mm) x 4



Wood screw
(4 mm) x 4



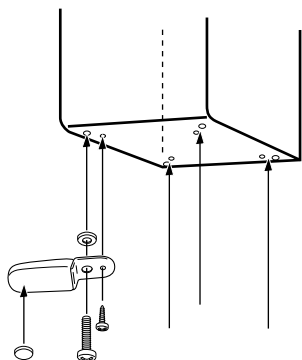
Washer x 4



Pad x 4

When positioning the speakers, be sure to use the stand to increase stability.

Use the 8 specified holes located on the base of the speaker.



Procedure:

- ① Put the 6 mm screw through the inside hole on the stand.
- ② Place a washer on the screw on the speaker side of the stand and attach to the speaker at one of the outside holes on the base of the speaker.
At this time, attach the stand so that it can still be moved slightly.
- ③ Put the 4 mm wood screw through the outside hole on the stand, and screw into the inside hole on the base of the speaker.
- ④ When both screws have been attached, tighten both of the screws so that the stand is firmly in place.
Be sure to check that the stand is firmly attached.
- ⑤ Attach the pads to the bottom of the end portion of the stand.
- ⑥ Attach the other stands in the same manner and confirm that all 4 stands have been firmly attached.
- ⑦ Place the speaker in the desired location.

Note

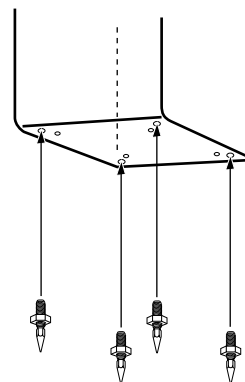
If force is applied to the side of the speaker, it may fall and damage the speaker or cause personal injury. Please be careful.

■ Attaching the spike



Spike x 4

When setting up the speakers on a thick carpet, use the spikes instead of the stand. With 4 points set in place to achieve increased stability and improvements in sound quality.



Procedure:

- ① Set the nut close to the tip of the spike and screw them into the bottom of the speaker at each of the four specified holes.
- ② Place the speaker in the desired location in an upright position and adjust the length of the spike to match the depth of the carpet.
- ③ When adjustment is complete, twist the nut up to the base of the speaker firmly.

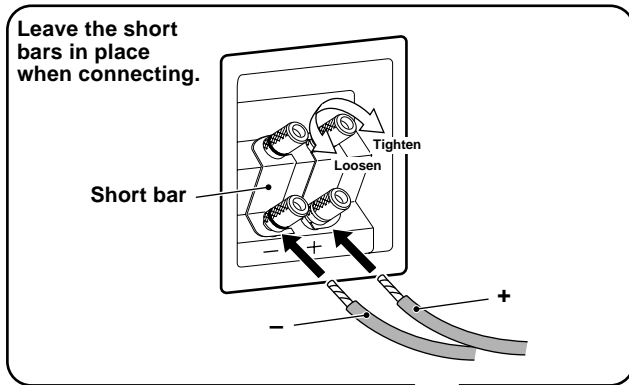
Notes

- **The tips of the spikes may scratch or otherwise damage the flooring. Please be careful when positioning the speakers.**
- **If force is applied to the side of the speaker, it may fall and damage the speaker or cause personal injury. Please be careful.**

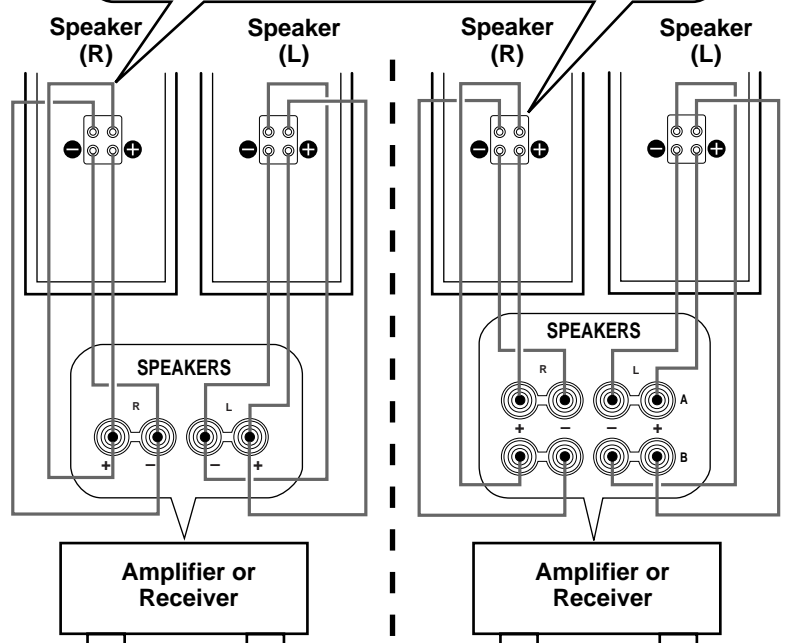
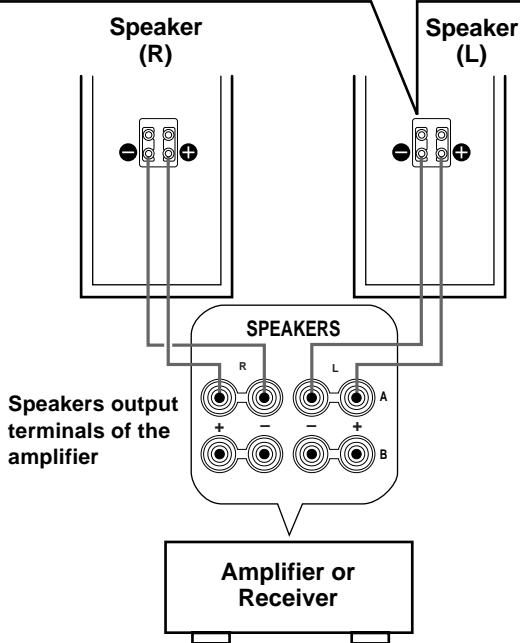
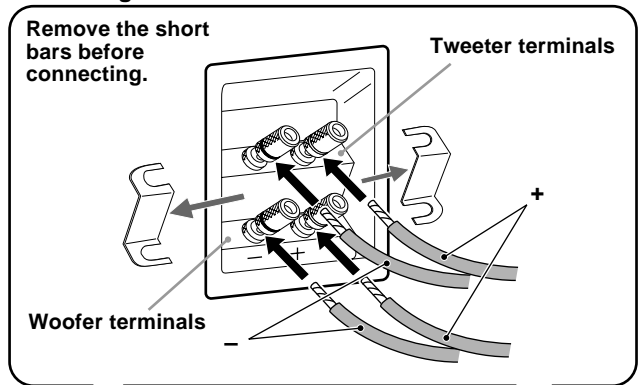
CONNECTIONS TO YOUR AMPLIFIER

This speaker system is capable of standard connections and bi-wiring connections. Before making connections, make sure that the amplifier is switched off.

<Standard Connections>



<Bi-Wiring Connections>



Both **SPEAKERS A** and **B** should be selected.

■ Connections

- Connect the screw-type input terminals at the rear of the speakers to the speaker output terminals of your amplifier with the speaker cables.
- Connect the (+) terminals on both the amplifier and the speakers using one side of the cable. Connect the (-) terminals on both components using the other side of the cable.
- Connect one speaker to the left (marked L) terminals of your amplifier, and another speaker to the right (marked R) terminals, making sure not to reverse the polarity (+, -). If one speaker is connected with reversed polarity, the sound will be unnatural and lack bass.

Procedure:

- ① Loosen the terminal knob.
- ② Remove approx. 10 mm (3/8") insulation from the speaker cable and insert the bare wire end properly into the terminal hole.
- ③ Tighten the knob.
- ④ Test the security of the connection by tugging lightly on the cable at the terminal.

Note

Do not let the bare speaker wires touch each other as this could damage the speaker and/or the amplifier.

Bi-Wiring Connections

This speaker system is capable of bi-wiring connections. To connect the speakers to the output terminals of the amplifier, two pairs of cables for each of woofer and tweeter are used instead of standard connections. This type of connection decreases the modulation distortion caused by electric resistance of the cables and driving current of the speakers. Consequently, purer sound quality can be expected.

To utilize bi-wiring connections, remove the short bars from the terminals first, and then connect the woofer and tweeter to the amplifier separately using two pairs of cables.

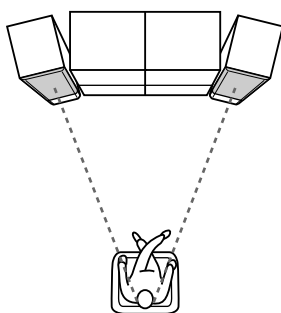
Note

For bi-wiring connections, use the same type of cable for both the woofer and tweeter, making sure to match the polarity.

PLACING THE SPEAKERS

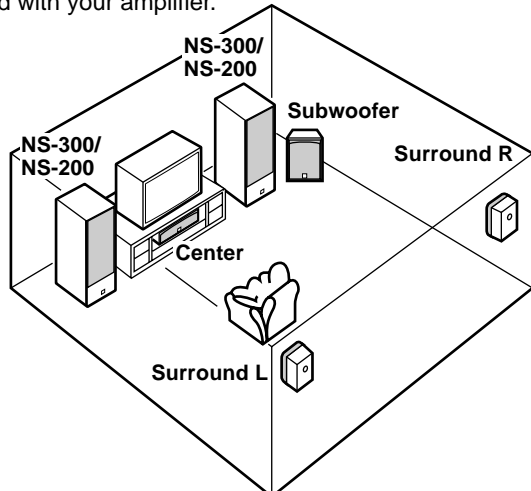
■ Using as 2ch stereo speakers

Better stereo images will be obtained when the speakers are slightly angled in towards the listeners.



■ Using as main speakers in a multi channel system

Position the speakers on both sides of the TV. The positioning of speakers is important, because it controls the whole sound quality of a multi channel system. Set up the speakers on the basis of your listening position by following the owner's manual supplied with your amplifier.



SPECIFICATION

Type

NS-300	2-way 3-speaker bass reflex speaker system (Magnetically-shielded type)
NS-200	2-way 2-speaker bass reflex speaker system (Magnetically-shielded type)

Speaker Unit

NS-300	16 cm (6.5") cone woofer x 2 3 cm (1") dome tweeter
NS-200	16 cm (6.5") cone woofer 3 cm (1") dome tweeter

Nominal Impedance 6 ohms

Frequency Response

NS-300	30 Hz – 35 kHz
NS-200	35 Hz – 35 kHz

Nominal Input Power

NS-300	140 W
NS-200	100 W

Maximum Input Power

NS-300	400 W
NS-200	300 W

Sensitivity

NS-300	91 dB/2.83 V/m
NS-200	90 dB/2.83 V/m

Crossover Frequency 3 kHz

Dimensions (WxHxD)

NS-300	212 x 900 x 317 mm (8.3" x 35.4" x 12.5")
NS-200	212 x 850 x 317 mm (8.3" x 33.5" x 12.5")

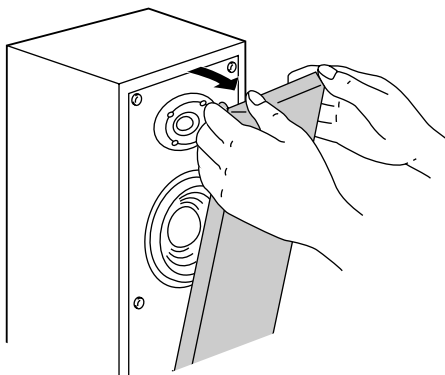
Weight

NS-300	19.0 kg (41.9 lbs.)
NS-200	16.8 kg (37.1 lbs.)

Accessories Stand x 4
Screw (6 mm) x 4
Wood screw (4 mm) x 4
Washer x 4
Pad x 4
Spike x 4
Nut x 4

REMOVING THE FRONT COVER

The front cover is fastened to the enclosure at six points, and can be removed if desired. To remove the cover, hold on to both sides and slowly pull straight away from the speaker. To reattach, line up the six pegs on the inside surface of the cover with the six corresponding holes on the speaker and push gently.



Note

When the cover is removed, take care not to touch the speaker units with your hands or to exert excessive force with tools.

- Specifications subject to change without notice due to product improvements.
- Care should be taken not to exceed the input power values noted above.



YAMAHA ELECTRONICS CORPORATION, USA 6660 ORANGETHORPE AVE., BUENA PARK, CALIF. 90620, U.S.A.
YAMAHA CANADA MUSIC LTD. 135 MILNER AVE., SCARBOROUGH, ONTARIO M1S 3R1, CANADA
YAMAHA ELECTRONIK EUROPA G.m.b.H. SIEMENSSTR. 22-34, 25462 RELLINGEN BEI HAMBURG, F.R. OF GERMANY
YAMAHA ELECTRONIQUE FRANCE S.A. RUE AMBROISE CROIZAT BP70 CROISSY-BEAUBOURG 77312 MARNE-LA-VALLEE CEDEX02, FRANCE
YAMAHA ELECTRONICS (UK) LTD. YAMAHA HOUSE, 200 RICKMANSWORTH ROAD WATFORD, HERTS WD1 7JS, ENGLAND
YAMAHA SCANDINAVIA A.B. J A WETTERGRENS GATA 1, BOX 30053, 400 43 VÄSTRA FRÖLUNDA, SWEDEN
YAMAHA MUSIC AUSTRALIA PTY. LTD. 17-33 MARKET ST., SOUTH MELBOURNE, 3205 VIC., AUSTRALIA

YAMAHA CORPORATION
Printed in Malaysia © V404220